

2008 CITATION MUSTANG | SN 510-0088



KNOTS
340



PASSENGERS
4



RANGE (NM)
1,200

CONTACT: DAVID LEE
david@soljets.com | +1.847.920.7000

2008 CITATION MUSTANG | SN 510-0088



AIRCRAFT LISTING DETAILS:

Total Hours: 1810

ENGINES: Pratt & Whitney PW615F-A

	Left	Right
Total Hours:	1810	1755
Engine Cycles:	1705	1668

AIRCRAFT HIGHLIGHTS:

- 2020 Paint and Interior Refresh
- Fresh Hot Section Inspections
- Always Hangared
- NXi Upgrade
- ADS-B In/Out
- Cescom
- **Fully Enrolled in PowerAdvantage Plus and ProParts**

STANDARD AVIONICS:

- Garmin G1000 Integrated Avionics Suite with NXi Upgrade
- Dual 10.4" PFDs
- Single 15" MFD
- Dual Garmin GMA 1347D Digital Audio Control Panels with Dual Comm
- Dual Nav
- Garmin Integrated FMS
- Garmin GWX 68 Digital Weather Radar
- Garmin Class B TAWS
- Artex C406-N Three Frequency ELT
- GFC 700 Automatic Flight Control System
- RVSM Capable

2008 CITATION MUSTANG | SN 510-0088



FEATURES / OPTIONS:

- NXi Upgrade
- GTX 33D and GTX 345R Mode S Transponders
- ADS-B In/Out
- ADF
- Honeywell KTA-870 TAS
- HF Provisions
- XM Weather
- Synthetic Vision
- Chartview
- Iridium Handheld Phone Antenna and Port
- New De-icing Boots
- Life Vests

INTERIOR:

2020 Interior Refresh including Deep Clean of Seats, Leather Re-dye, and New Carpet. Four (4) Passenger Center Club Beige Leather Seating with LH and RH Fwd Storage Cabinets, Dual Executive Writing Tables, Aft Center Console, and Side-Facing Non-Belted Lav.

EXTERIOR:

2020 Nose Re-Paint and Touch Up. Overall Matterhorn White with Blue and Grey Striping.

2008 CITATION MUSTANG | SN 510-0088



MAXIMUM CRUISE SPEED

(35,000 ft / 10,668 m, mid cruise weight) 340 ktas 630 km/hr

NBAA IFR RANGE (100 nm Alternate)

Full fuel, max takeoff weight 1,200 nm 2,222 km

AIRPORT PERFORMANCE (Dry, Level, Hard, Zero Wind)

Takeoff distance (SL, ISA, MTOW) 3,110 ft 948 m

Landing distance (SL, ISA, MTOW) 2,380 ft 725 m

CEILING

Maximum certified 41,000 ft 12,497 m

RATES OF CLIMB

All engines 3,010 ft/min 917 m/min

Single engine 870 ft/mi 265 m/m

AIRSPEED LIMITS

Vmo from Seal Level to 27,120 250 kias 463 km/hr

Mmo at 27,130' (8,266 m) and above M .63 (indicated)

STALL SPEED

MLW, Landing configuration 73 kcas 135 km/hr

PRESSURIZATION

Nominal pressure differential 8.3 psi .57 bar

2008 CITATION MUSTANG | SN 510-0088



OUTSIDE DIMENSIONS

Overall length	40 ft 7 in	12.37 m
Overall height	13 ft 5 in	4.09 m
Wingspan	43 ft 2in	13.15m

CABIN DIMENSIONS

Length (excluding cockpit)	9 ft 9 in	2.97 m
Height	54 in	1.37 m
Width	55 in	1.40 m

ENGINES

Two (2) Pratt & Whitney PW615F-A		
Takeoff thrust	1,460 lb	6.49 kN
Bypass ration	2.2 :1	

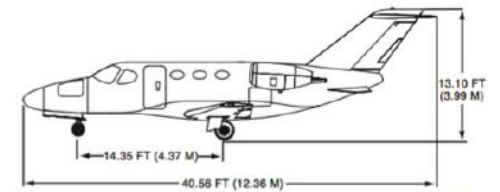
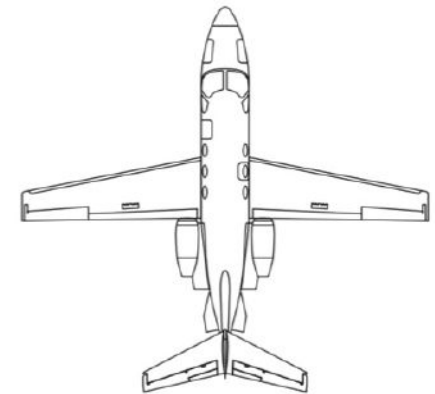
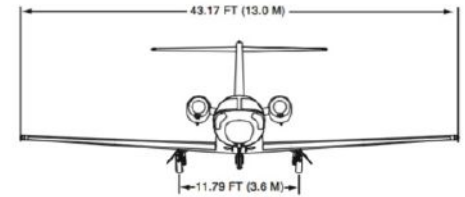
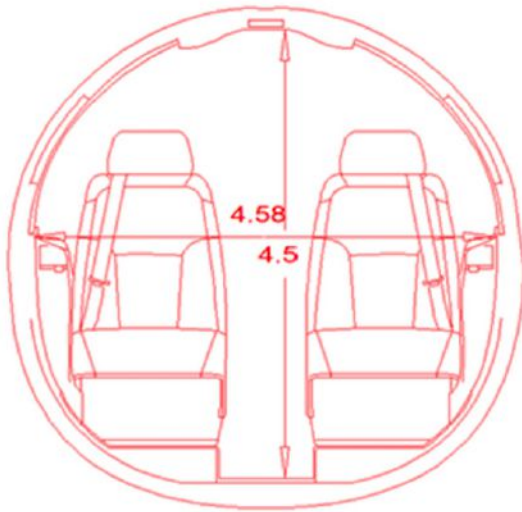
Design Weights and Capacities

Max ramp weight	8,730 lb	3,969 kg
Max takeoff weight	8,645 lb	3,921 kg
Max landing weight	8,000 lb	3,629 kg
Max zero fuel weight	6,750 lb	3,062 kg
Max fuel capacity (6.7 lb / gal)	2,580 lb	1,170 kg
Typical empty weight*	5,350 lb	2,427 kg
Useful Load**	3,380 lb	1,536 kg
Payload with full fuel	800 lb	363 kg

*Reflects standard aircraft with typical options and unusable fuel / oil

**Amount of payload and fuel that can be carried based on ramp weight

2008 CITATION MUSTANG | SN 510-0088



2008 CITATION MUSTANG | SN 510-0088



2008 CITATION MUSTANG | SN 510-0088



2008 CITATION MUSTANG | SN 510-0088



2008 CITATION MUSTANG | SN 510-0088



2008 CITATION MUSTANG | SN 510-0088



2008 CITATION MUSTANG | SN 510-0088



2008 CITATION MUSTANG | SN 510-0088



SOLJETS: YOUR TRUSTED PARTNER

EXPERIENCE, KNOWLEDGE, PASSION

Whether you have a precise requirement for a specific aircraft, or a vague concept and understanding of your needs, the SOLJETS professionals have refined a SOLUTION that ensures YOUR needs, missions, and goals are met. With clarity we work together to provide the Intel and resources to enable YOU to make the best decisions – whether buying or selling. The SOLJETS SOLUTION has four key steps: Assess, Assemble, Act, Alliance.

SOLJETS' FOCUS IS YOU

The SOLJETS SOLUTION™ combines the ideal aircraft with the right process, ownership structure, and foundation to make sure that your jet is a simple, efficient, and satisfying part of your life. Freedom, adventure, time. With SOLJETS, that dream can become a reality.

LEVERAGING ART & SCIENCE

Matching the right aircraft with the right owner takes more than internet advertising and email campaigns. The team at SOLJETS leverages industry relationships built over decades of experience to broaden our global reach and uncover unique opportunities for you. Any buyer or seller can look through online ads to find a few retail solutions. At SOLJETS, our team goes where others won't to find the right buyer or seller. We've built deep ties with manufacturers, lenders, insurers, and global operators so that we are in a position to not only hear about transaction opportunities before others, but to be instrumental in making those opportunities work for you.