



**AVPRO** INC.  
*Performance. Integrity. Reputation.*



Maintenance Programs



Passengers 13

**2014 Gulfstream G450 | SN 4308**  
In-Service: December 21, 2015

2014 Gulfstream G450 | S/N: 4308 | C-FDBJ *In-Service: December 21, 2015*

**AIRCRAFT LISTING DETAILS:**

Total Hours: 1551  
Total Landings: 602

Engines: Rolls-Royce TAY611-8C

	#1	#2
Total Hours:	1551	1551
Engine Cycles:	602	602
Serial Numbers:	85627	85626

APU: Honeywell GTCP36-150(GIV)

Total Hours: 1015  
Total Cycles: 1324  
Serial Number: P-393

**AIRCRAFT HIGHLIGHTS:**

- Former Gulfstream Demonstrator
- Manufacturer's Warranties Thru December 2020
- Like New, Meticulously Maintained
- Honeywell PlaneView Software – ASC 912B
- Enhanced Nav – ASC 59B
- HUD with EVS II

**AVIONICS:**

- Honeywell PlaneView™ Epic Primus Avionics Suite:
- Honeywell PlaneView Software – ASC 912B
- Honeywell GP-500 Flight Guidance Panel
- Four (4) Honeywell 14" DU-1310 Four-Tube Flat Panel Display System
- Dual Honeywell Automatic Flight Controller System (FCS)
- Dual Honeywell DC-884 Display Controllers
- Honeywell CNS/ATM with AFN/AOC/ADS-A
- Synthetic Vision Primary Flight Display (SV-PFD) 2.0 – ASC 0378B
- Emergency Vision Assurance System (EVAS)
- Honeywell Enhanced Visual System (EVS II)
- Runway Awareness Advisory System (RAAS) – ASC 040A
- Honeywell Head Up Display/ Visual Guidance System (HUD/VGS)
- Micro Quick Access Recorder – ASC 046
- Third Honeywell MT-860 Nav/Comm Radio
- Triple Honeywell VHF Nav/Comms
- Dual Honeywell Comms Management Function (CMF)
- Triple Honeywell AV-900 Audio Panels
- Triple Honeywell MAU-913 Modular Avionics Units
- Triple Honeywell NZ-2000 Flight Management System (FMS)
- Dual Honeywell 24 Channel GPS
- Triple Honeywell IR-500 LASEREF V Micro IRS

---

2014 Gulfstream G450 | S/N: 4308 | C-FDBJ *In-Service: December 21, 2015*

---

**AVIONICS (cont'd):**

- Honeywell MC-850 Multifunction Control Display Units
- Honeywell AZ-200 Air Data Modules
- XM Weather – ASC 60A
- Honeywell WU-880 Weather Radar Receiver/Transmitter Antenna
- Honeywell WC-884 Weather Radar Controllers
- Honeywell MRC-855A Modular Radio Cabinets
- Honeywell AV-900 Digital Audio System w/ SELCAL
- Dual Honeywell RT-300 Radio Altimeters
- Dual Autothrottle
- Universal Avionics Cockpit Voice Recorder (CVR)
- Cockpit Voice Recorder (CVR) Control Panel
- L3 Digital Flight Data Recorder- 44 Parameter (FDR)
- L3 eBDI-4000 Radio Magnetic Indicator (RMI)
- L3 Magnetometer
- L3 GH-3100 Standby Attitude/Airspeed/Altitude Indicator
- L3 RT-951 TCAS 2000 w/ Change 7.1
- Dual EGPWS w/ Windshear Detection
- Dual Cursor Control Devices
- Dual SSI Element Antennas
- Triple Honeywell Air Data Sensors
- Honeywell AFIS
- Triple Frequency ELT

**CONNECTIVITY:**

- Aircell Gogo Biz In-Flight Internet
- Via Sat KU-Band w/Voice Over Internet Protocol (VOIP)
- Wireless Local Area Network (LAN)
- Iridium Communications System
- Honeywell MCS-7000 SATCOM System
- Inmarsat Satellite Communications System

---

**ENTERTAINMENT:**

- Gulfstream HD Audio/Video Distribution System (AVDS)
- Honeywell AIS-2000 SatTV
- Dual Slot Blu-ray DVD/CD Player
- Blu-ray/DVD/CD Storage
- Auxiliary Audio/Video Inputs
- Cabin Audio System w/Noise Cancelling Headphones
- One (1) 24" Forward Bulkhead Widescreen HD LCD Monitor
- 12.1" HD LCD Monitor in each Single Seat
- One (1) 19" Widescreen HD LCD Monitor (Above Credenza)
- Passenger Flight Information System w/Worldwide Maps
- Wireless Handset Charging
- Audio System Speakers
- Color Touch Screen Control Panel

---

2014 Gulfstream G450 | S/N: 4308 | C-FDBJ *In-Service: December 21, 2015*

---

#### NAVIGATION COMPLIANCE:

- PlaneView Enhanced Navigation Package – ASC 59B
- CPDLC/FANS 1A+/ATN/ADS-B Out Compliant
- WAAS/LPV Compliant
- Automatic Dependent Surveillance Broadcast (ADS-B Out) - ASC 079A
- Runway Awareness Advisory System (RAAS) – ASC 040A
- L3 RT-951 TCAS 2000 w/ Change 7.1

---

#### MAINTENANCE/PROGRAMS:

- Manufacturer's Warranties Thru December 2020
- Gulfstream MYCMP

#### FEATURES/OPTIONS:

- External Camera System w/Three (3) Cameras
- SecuraPlane Preflight Aircraft Security System
- ACARS w/ SATCOM & Cockpit Printer
- Dual Davtron Digital Clocks
- Plain Paper Multi-Function Printer
- 115V/60Hz Universal Outlets
- Electric Window Shades
- LED Landing & Taxi Lights (STC SA16-83)
- LED Indirect Cabin Lighting
- LED Reading & Table Lights
- Crew Name Plate Holder
- Hinged Baggage Shelf
- Tempus IC Telemedicine Device
- Dual Zone Cabin Temperature Control
- Lockable Fuel Caps
- 100 lb. Maintenance Storage Box
- 30 Gallon Pressurized Water System
- Passenger Oxygen System
- Life Vests & Rafts
- Completion Manuals on CD

---

2014 Gulfstream G450 | S/N: 4308 | C-FDBJ *In-Service: December 21, 2015*

---

**INTERIOR:**

Stunning Universal aft galley configuration featuring the Elite Interior option, Enhanced Soundproofing and seating for up to thirteen (13) passengers; berthing for six (6) passengers.

The forward cabin offers a bulkhead electric pocket door for additional privacy and features a four (4) place club configuration followed by a mid cabin two (2) place club opposite a three (3) place divan.

The aft cabin features a four (4) place dining group opposite a credenza. The fully equipped aft galley offers complete hot/cold meal and beverage service.

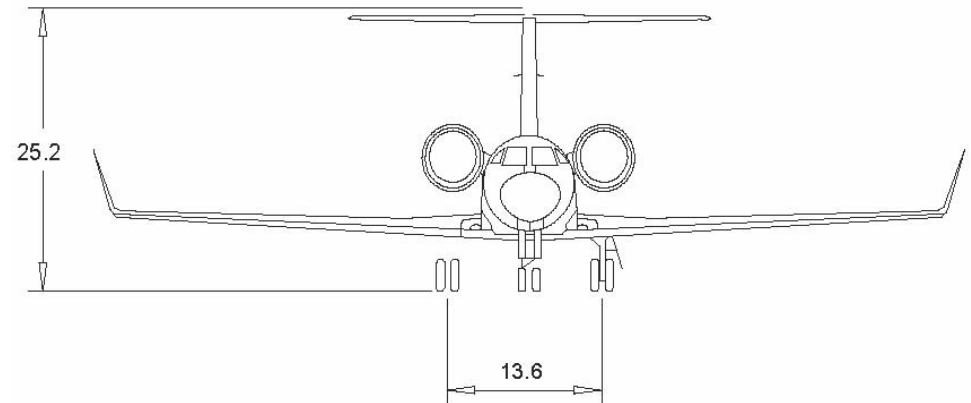
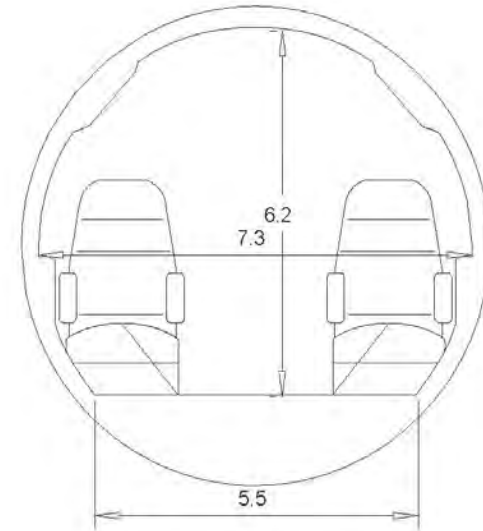
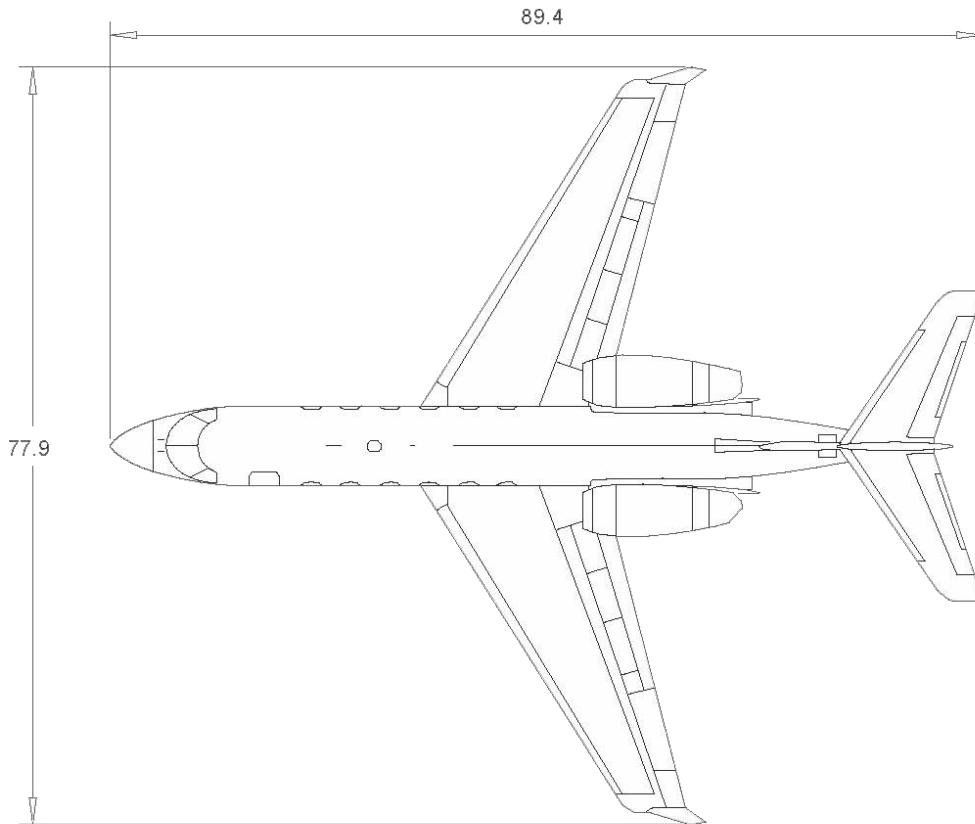
Additional amenities include Gasper cooled storage, a High Temp Oven, Microwave, an Iacobacci Coffee Maker and Espresso Maker. Forward Crew and aft Passenger lavatories.

Headliner & Upper Sidewall.....Tapis Classic Gray  
Lower Sidewall .....Townsend Leather Classic Cowhide Granche  
Individual Seats .....Townsend Leather Classic Cowhide Dove  
Divan Arms & Closeouts.....Townsend Leather Excel Tipped Cowhide Chocolate  
Divan Cushions .....Zine Textiles Frieze Taupe  
Countertops .....Zodiaq Storm Grey  
Plating .....High Tech Pure White Gold Pearlite  
Veneer .....Booth Veneer QTR Dark Sapele  
Carpet.....Scott Group Unique Grid w/Silk

**EXTERIOR:**

Matterhorn White Upper Fuselage & Dark Blue Lower Fuselage w/Blue & Gray Accent Striping.

2014 Gulfstream G450 | S/N: 4308 | C-FDBJ *In-Service: December 21, 2015*



2014 Gulfstream G450 | S/N: 4308 | C-FDBJ *In-Service: December 21, 2015*



2014 Gulfstream G450 | S/N: 4308 | C-FDBJ *In-Service: December 21, 2015*





2014 Gulfstream G450 | S/N: 4308 | C-FDBJ *In-Service: December 21, 2015*



2014 Gulfstream G450 | S/N: 4308 | C-FDBJ In-Service: December 21, 2015



2014 Gulfstream G450 | S/N: 4308 | C-FDBJ *In-Service: December 21, 2015*



2014 Gulfstream G450 | S/N: 4308 | C-FDBJ *In-Service: December 21, 2015*



2014 Gulfstream G450 | S/N: 4308 | C-FDBJ *In-Service: December 21, 2015*



2014 Gulfstream G450 | S/N: 4308 | C-FDBJ *In-Service: December 21, 2015*



2014 Gulfstream G450 | S/N: 4308 | C-FDBJ *In-Service: December 21, 2015*



2014 Gulfstream G450 | S/N: 4308 | C-FDBJ *In-Service: December 21, 2015*





2014 Gulfstream G450 | S/N: 4308 | C-FDBJ *In-Service: December 21, 2015*



2014 Gulfstream G450 | S/N: 4308 | C-FDBJ *In-Service: December 21, 2015*



2014 Gulfstream G450 | S/N: 4308 | C-FDBJ *In-Service: December 21, 2015*



2014 Gulfstream G450 | S/N: 4308 | C-FDBJ *In-Service: December 21, 2015*



2014 Gulfstream G450 | S/N: 4308 | C-FDBJ *In-Service: December 21, 2015*



2014 Gulfstream G450 | S/N: 4308 | C-FDBJ *In-Service: December 21, 2015*



Forward Crew Lavatory



Aft Passenger Lavatory



**AVPRO IS ONE OF THE WORLD'S LARGEST INTERNATIONAL AIRCRAFT BROKERAGE AND ACQUISITION FIRMS:**

We perform for our clients, averaging one transaction a week. We match aircraft to your specifications in a professional and timely manner, allowing you to concentrate on your business, leaving the important details of marketing, market research, negotiating, and contracting to us.

Whether buying, selling or leasing a new or pre-owned aircraft, Avpro is committed to providing superior customer service and creating mutually beneficial long-term customer relationships.

When it's time to buy, lease or sell an aircraft, you want to deal with Avpro, a firm known for its Performance for our clients, Integrity in the way we do business, and Reputation as the key ingredient for future business.

We're one of the world's largest international brokerage, acquisition, and aircraft consulting firms. We specialize in corporate, business and private jet aircraft. We've earned our impressive record by doing one thing very well - providing superior customer service and creating beneficial long-term customer relationships.



PLEASE CALL US TO DISCUSS HOW WE CAN BEST SERVE YOU:

Donald P. Bass  
Managing Partner  
dbass@avprojets.com

Christopher J. Ellis  
Managing Partner  
cellis@avprojets.com

Robert W. Rabbitt, Jr.  
Managing Partner  
brabbitt@avprojets.com

WWW.AVPROJETS.COM

AVPRO, INC.  
900 Bestgate Road, Suite 412  
Annapolis, Maryland 21401

410.573.1515  
Fax: 410.573.1919  
E-mail: hkane@avprojets.com

