

2006 CESSNA CITATION CJ3 | SN 525B-0083



MACH  
**.737**



PASSENGERS  
**8**



RANGE (NM)  
**1,875**

CONTACT: MATT STRINGFELLOW  
matt@soljets.com | +1.847.920.7000

## 2006 CESSNA CITATION CJ3 | SN 525B-0083



### AIRCRAFT LISTING DETAILS:

Total Hours: 4020

### ENGINES: Williams FJ44-3A

	Left	Right
Total Hours:	3923	3923
Cycles:	3000	3000

### AIRCRAFT HIGHLIGHTS:

- \* 2020 Paint with 24 Month Warranty
- \* 2020 Interior Updates including New Sidewalls and New Cockpit Leather Seats
- \* December, 2019 Pre-Buy Assurance Performed by Textron, with Assurance Warranty until June 15, 2020
- \* Interchangeable Side Facing Seat/Large Galley
- \* 2020 New Windshields
- \* MLG Link and Trunnion inspection December, 2019 by Textron
- \* No Damage History
- \* No Corrosion History
- \* **Fully Enrolled in TAP Blue and ProParts**

### AVIONICS:

- \* Collins ProLine 21 Avionics Suite
- \* Garmin GPS-500
- \* WX-1000E Lightning Detection
- \* TTR-4000 TCAS II version 7.1
- \* Electronic Jeppesen Charts
- \* Dual Collins FMC-3000
- \* Honeywell Enhanced Ground Proximity
- \* Warning System (EGPWS) Mark VIII
- \* Collins HF-9000 High Frequency Communications
- \* Cockpit Voice Recorder
- \* ACP-4110 Audio Panel
- \* ADF
- \* Collins GPS 4000S GPS
- \* WAAS/LPV
- \* DBU-5000
- \* ADS-B Out
- \* IFIS 6.0
- \* Collins FMS 3000 and Garmin GNS 500 exchanged Feb, 2020

## 2006 CESSNA CITATION CJ3 | SN 525B-0083



### FEATURES / OPTIONS:

- Aircell ST 3100 telecommunications system
- Aircell Intercom switch
- Airshow
- Concorde 42 AMP Hour Lead Acid Battery
- Locking Fuel Caps
- 2020 New Windshields
- MLG Link and Trunnion inspection December, 2019 by Textron

### INTERIOR

Up to eight (8) passenger seating in tan leather including four club seating, two single forward facing seats, belted lavatory and large refreshment center in wood veneer which is interchangeable to a side facing seat. 2020 interior updates including new sidewalls and new cockpit leather seat surfaces completed by Textron. 2018 interior updates including cabin seat refurbishment and new carpet.

### Exterior

2020 Strip and Re-Paint Completed by Duncan Aviation with Warranty through December 2021. Overall Matterhorn White with Black Pearl and Silver Hinde Pearl Accent Striping.

## 2006 CESSNA CITATION CJ3 | SN 525B-0083



### MAXIMUM CRUISE SPEED

(26,000 ft / 7,925 m, mid cruise weight)      416 ktas      770 km/hr

### NBAA IFR RANGE (100 nm Alternate)

Full fuel, MTOW, and Max Cruise      1,875 nm      3,473 km

### AIRPORT PERFORMANCE (Dry, Level, Hard, Zero Wind)

Takeoff distance (SL, ISA, MTOW)      3,180 ft      969 m

Landing distance (SL, ISA, MTOW)      2,770 ft      844 m

### CEILING

Maximum certified      45,000 ft      13,716 m

### RATES OF CLIMB

All engines      4,478 ft/min      1,365 m/min

Single engine      1,090 ft/mi      332 m/m

### AIRSPED LIMITS

Vmo from Seal Level to 29,123      278 kias      515 km/hr

Mmo at 29,123' (8,877 m) and above      M .737      (indicated)

### STALL SPEED

MLW, Landing configuration      83 kcas      154 km/hr

### PRESSURIZATION

Nominal pressure differential      8.9 psi      .64 bar

## 2006 CESSNA CITATION CJ3 | SN 525B-0083



### OUTSIDE DIMENSIONS

Overall length	51 ft 2 in	15.59 m
Overall height	15 ft 2 in	4.62 m
Wingspan	53 ft 4 in	16.26 m

### CABIN DIMENSIONS

Length (excluding cockpit)	188 in	4.78 m
Height	57 in	1.45 m
Width	58 in	1.47 m

### ENGINES

Two (2) Williams FJ44-3A		
Takeoff thrust	2,820 lb	12.54 kN
Bypass ration	2.09 :1	

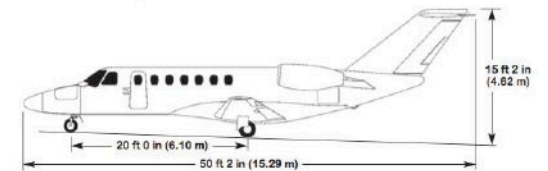
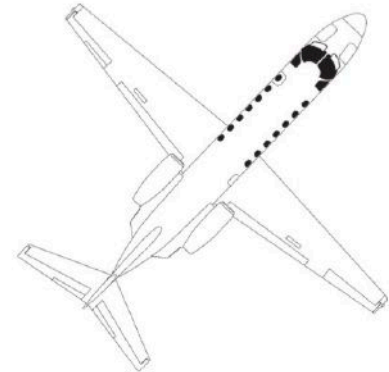
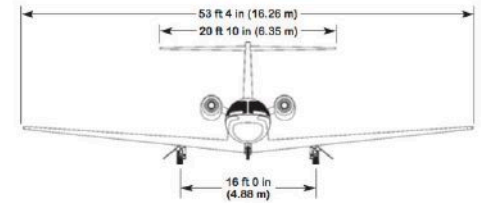
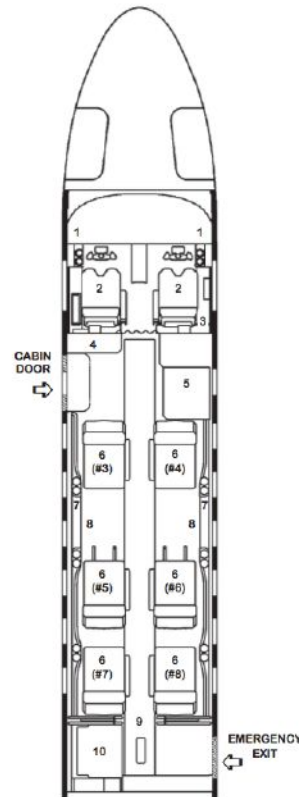
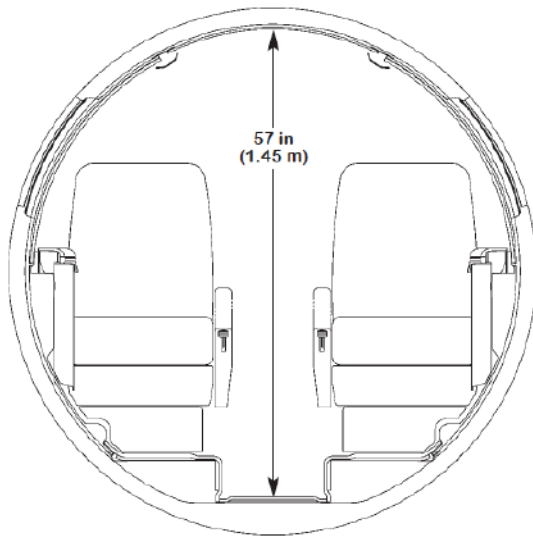
### Design Weights and Capacities

Max ramp weight	14,070 lb	6,382 kg
Max takeoff weight	13,870 lb	6,291 kg
Max landing weight	12,750 lb	5,783 kg
Max zero fuel weight	10,510 lb	4,767 kg
Max fuel capacity (6.7 lb / gal)	4,710 lb	2,136 kg
Typical empty weight*	8,390 lb	3,806 kg
Useful Load**	5,280 lb	2,395 kg
Payload with full fuel	570 lb	259 kg

\*Reflects standard aircraft with typical options and unusable fuel / oil

\*\*Amount of payload and fuel that can be carried based on ramp weight

## 2006 CESSNA CITATION CJ3 | SN 525B-0083



2006 CESSNA CITATION CJ3 | SN 525B-0083



2006 CESSNA CITATION CJ3 | SN 525B-0083





2006 CESSNA CITATION CJ3 | SN 525B-0083



## 2006 CESSNA CITATION CJ3 | SN 525B-0083



## 2006 CESSNA CITATION CJ3 | SN 525B-0083



## 2006 CESSNA CITATION CJ3 | SN 525B-0083



## 2006 CESSNA CITATION CJ3 | SN 525B-0083



### SOLJETS: YOUR TRUSTED PARTNER

#### EXPERIENCE, KNOWLEDGE, PASSION

Whether you have a precise requirement for a specific aircraft, or a vague concept and understanding of your needs, the SOLJETS professionals have refined a SOLution that ensures YOUR needs, missions, and goals are met. With clarity we work together to provide the Intel and resources to enable YOU to make the best decisions – whether buying or selling. The SOLJETS SOLution has four key steps: Assess, Assemble, Act, Alliance.

#### SOLJETS' FOCUS IS YOU

The SOLJETS SOLution™ combines the ideal aircraft with the right process, ownership structure, and foundation to make sure that your jet is a simple, efficient, and satisfying part of your life. Freedom, adventure, time. With SOLJETS, that dream can become a reality.

#### LEVERAGING ART & SCIENCE

Matching the right aircraft with the right owner takes more than internet advertising and email campaigns. The team at SOLJETS leverages industry relationships built over decades of experience to broaden our global reach and uncover unique opportunities for you. Any buyer or seller can look through online ads to find a few retail solutions. At SOLJETS, our team goes where others won't to find the right buyer or seller. We've built deep ties with manufacturers, lenders, insurers, and global operators so that we are in a position to not only hear about transaction opportunities before others, but to be instrumental in making those opportunities work for you.