



**AVPRO** INC.  
*Performance. Integrity. Reputation.*



PLAY VIDEO



TOUR VIRTUAL 360°



Passengers  
14

2013 Falcon 7X | SN 192

2013 Falcon 7X | S/N: 192 | N1927X

**AIRCRAFT LISTING DETAILS:**

Total Hours: 1391  
Total Landings: 428

Engines: Pratt & Whitney PW307A

	#1	#2	#3
Total Hours:	1391	1391	1391
Engine Cycles:	428	428	428
Serial Numbers:	PCE-CH0609	PCE-CH0608	PCE-CH0606

APU: Honeywell GTCP36-150(FN)

Total Hours: 736  
Serial Numbers: P-308

**AIRCRAFT HIGHLIGHTS:**

- EASy II+ Cert 3
- Enhanced NAV/WAAS/LPV
- ADS-B Out/CPDLC/ATN FANS 1A
- Engines Enrolled on ESP Platinum
- APU Enrolled on Honeywell MSP
- SmartView™ SVS –Synthetic View Systems
- Fresh 12mo/800hr & 36mo/2400hr Inspections, June 2019

**AVIONICS:**

- Honeywell EASy II+ Avionics Suite (3rd Cert)
- Triple Honeywell AV-900 Flight Deck Audio
- Dual Honeywell VOR/ILS/MKR/GPS NV-877A
- Dual Honeywell DM-855 DMEs
- Dual Honeywell ADF DF-855 ADFs
- Triple Honeywell VHF TR-866B (VDR3) VHF's
- Dual Honeywell XS-858B Transponders
- Triple Honeywell FMS
- Triple Honeywell Laserref V
- Single Honeywell ADAHRS
- Dual Honeywell KHF-1050 HF's
- Honeywell SELCAL
- Honeywell Primus 880 Weather Radar
- Uplink WX Capability (requires subscription)
- Dual Honeywell KRA-405B Radar Altimeters
- ACSS TCAS 3000 w/Change 7.1
- Honeywell EGPWS w/Windshear
- Dual Honeywell AR-Combi CVFDR-429 CVR/FDR
- Single CTS Quick Access Recorder
- Pratt & Whitney Data Transmission Units
- CMF for ARINC
- Honeywell RESCU-406AF ELT w/Nav Interface

2013 Falcon 7X | S/N: 192 | N1927X

#### CONNECTIVITY:

- Iridium Aircell Axxess II
- Two (2) Corded Handsets

#### ENTERTAINMENT:

- Rockwell Collins FCMS Cabin Management w/Galley Touch Screen
- 22" Color LCD Forward & Aft Bulkhead Monitors
- Seven (7) Plug-In Monitor Receptacles
- Two (2) 10.6" LCD Monitors
- Alto Audio System
- iPod/HDMI Video/Audio Interface
- iPod Dock (iPhone 4 Style Connector)
- Rockwell Collins Dual Blu-Ray Player (DVD/CD Compatible)
- USB Charging Port

#### FEATURES/OPTIONS

- Rockwell Collins Touch Screen Cabin Control Panel
- Honeywell Galley Lighting Control Panel
- Gable Hot Cup
- TIA WaveJet Microwave
- Enflite Convection Oven
- DeLonghi Nespresso Maker
- HDMI Input
- Dual Goodrich Ice Detectors
- Miltope TP-4840 Flight Deck Printer
- KGS Inverter 230 VAC 50Hz 2000VA

#### NAVIGATION COMPLIANCE:

- ADS-B Out V2
- CPDLC/FANS 1A
- WAAS/LPV
- ACSS TCAS 3000 w/Change 7.1
- RVSM Compliant

#### SERVICE BULLETIN COMPLIANCE:

- F7X197 TCAS Change 7.1
- F7X198 Extended Crosswind Capabilities
- F7X228 Improved Refueling Time
- F7X286 AMSAC Software Load 105
- F7X291 Parking Brake Logic Improvement
- F7X300 EASy II Baseline
- F7X301 Enhanced NAV/WAAS/LPV
- F7X302 ADS-B Out
- F7X303 SmartView™ SVS –Synthetic View Systems
- F7X305 Dual Jepp Charts
- F7X308 Full CPDLC Package (ATN)
- F7X309 Full CPDLC Package (FANS 1/A)
- F7X310 VDL2 Radio Upgrade in 3rd VDR Position
- F7X317 Replacement of Combi Recorders (PN 980-6050-041)
- F7X320 EASy II+ Software
- F7X322 EASy II+ Cert 3
- F7X354 Aircell Axxess DUI Upgrade for FANS 1/A Compatibility

2013 Falcon 7X | S/N: 192 | N1927X

#### INTERIOR:

Fourteen (14) passenger configuration. Entering the aircraft immediately across from the main entrance door is a right-hand forward crew lavatory with sink and chemical toilet. Immediately aft of the crew lavatory is the main galley on the right-hand side that features 10-drawer dry storage, smoked Lexan sliders for Hi-Lo ball glasses, Gable Hot Cup, TIA Wavejet Microwave, Enflite Convection Oven, and Nespresso Maker. On the left-hand side that opposes the main galley is the Galley Annex that features dual Rockwell Collins Blu-Ray players, Collins touchscreen cabin control panel, cold storage, and storage cabinets.

Moving into the main cabin through a solid pocket door is a four (4) place club followed by a left hand four (4) place dining/conference group with electric elevation control on the table that opposes a right-hand settee with storage that is not certified for take-off and landing.

The aft cabin is divided by a bulkhead with a soft door that features a left hand three (3) place mechanically berthable divan that opposes another three (3) place mechanically berthable divan on the right-hand side with storage in the divan armrests. Continuing aft is the lavatory with chemical toilet and vanity on the right-hand side followed by the baggage compartment.

- Single seats in the four (4) place club are leather Spinneybeck Forte, black in color
- Seating in the conference/dining group and settee are leather Spinneybeck Forte, tan in color
- The aft divans are covered in Old World Weavers fabric, Straw in color
- Carpet throughout the cabin is Scott Group
- Cabin Headliner/window panels/valences are Rice colored Tapis Ultraleather
- Grosspoint is Buckwheat
- The entryway is Ebony colored Tapis Ultraleather
- Wood Veneer is natural Birds-eye Maple with high gloss finish
- Hardware finishes throughout are Brushed Gold
- Countertop is Wilsonart Beige Tempest

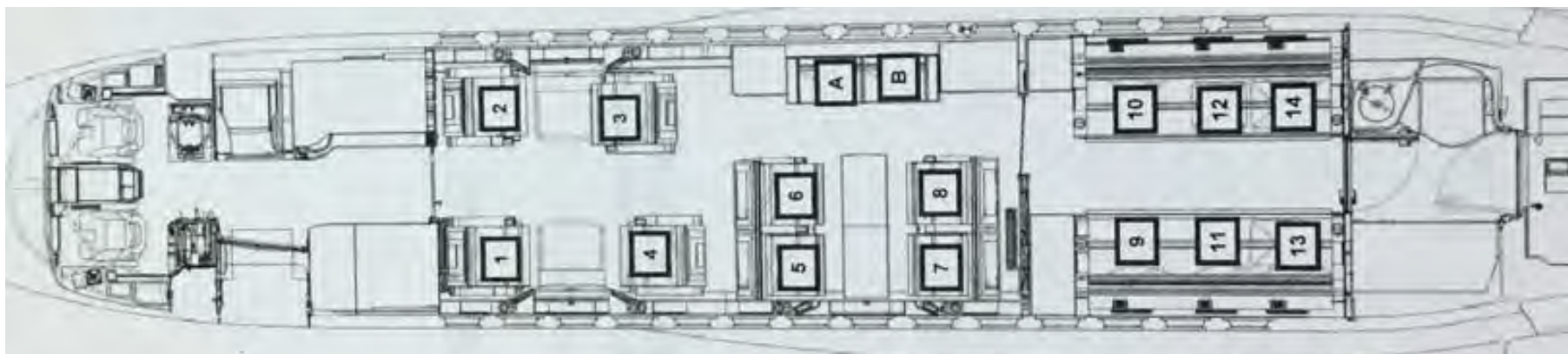
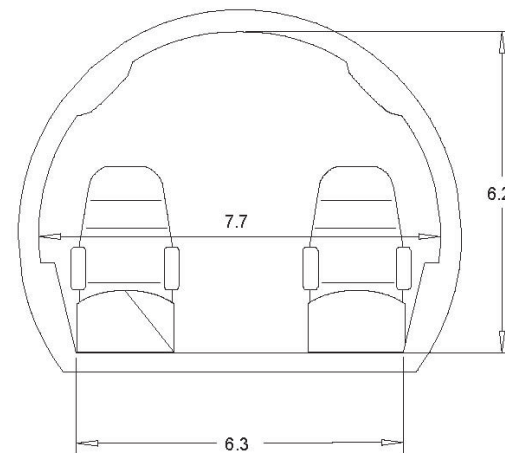
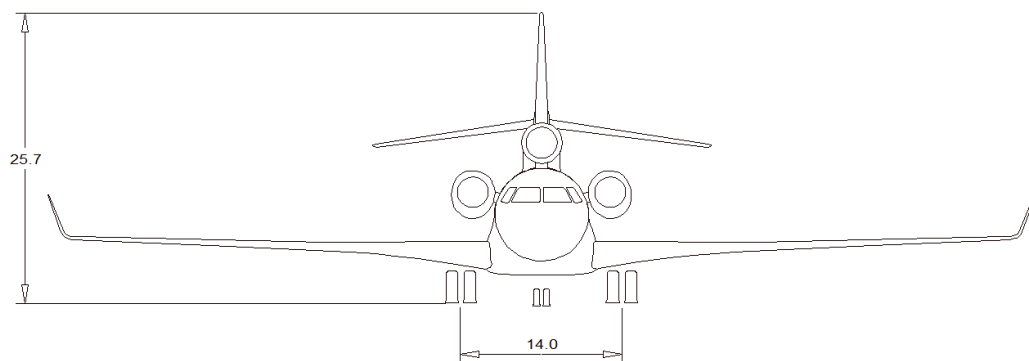


#### EXTERIOR:

Overall Matterhorn White with Royal Blue & Light Blue Custom Accent Striping.



2013 Falcon 7X | S/N: 192 | N1927X



2013 Falcon 7X | S/N: 192 | N1927X



WWW.AVPROJETS.COM

AVPRO, INC.  
900 Bestgate Road, Suite 412  
Annapolis, Maryland 21401

410.573.1515  
Fax: 410.573.1919  
E-mail: hkane@avprojets.com



2013 Falcon 7X | S/N: 192 | N1927X



WWW.AVPROJETS.COM

AVPRO, INC.  
900 Bestgate Road, Suite 412  
Annapolis, Maryland 21401

410.573.1515  
Fax: 410.573.1919  
E-mail: hkane@avprojets.com





2013 Falcon 7X | S/N: 192 | N1927X





2013 Falcon 7X | S/N: 192 | N1927X





2013 Falcon 7X | S/N: 192 | N1927X





2013 Falcon 7X | S/N: 192 | N1927X





2013 Falcon 7X | S/N: 192 | N1927X





2013 Falcon 7X | S/N: 192 | N1927X





2013 Falcon 7X | S/N: 192 | N1927X





2013 Falcon 7X | S/N: 192 | N1927X





2013 Falcon 7X | S/N: 192 | N1927X





2013 Falcon 7X | S/N: 192 | N1927X





2013 Falcon 7X | S/N: 192 | N1927X





2013 Falcon 7X | S/N: 192 | N1927X





2013 Falcon 7X | S/N: 192 | N1927X





2013 Falcon 7X | S/N: 192 | N1927X





AVPRO IS ONE OF THE WORLD'S  
LARGEST INTERNATIONAL AIRCRAFT  
BROKERAGE AND ACQUISITION FIRMS:

We perform for our clients, averaging one transaction a week. We match aircraft to your specifications in a professional and timely manner, allowing you to concentrate on your business, leaving the important details of marketing, market research, negotiating, and contracting to us.

Whether buying, selling or leasing a new or pre-owned aircraft, Avpro is committed to providing superior customer service and creating mutually beneficial long-term customer relationships.

When it's time to buy, lease or sell an aircraft, you want to deal with Avpro, a firm known for its Performance for our clients, Integrity in the way we do business, and Reputation as the key ingredient for future business.

We're one of the world's largest international brokerage, acquisition, and aircraft consulting firms. We specialize in corporate, business and private jet aircraft. We've earned our impressive record by doing one thing very well - providing superior customer service and creating beneficial long-term customer relationships.



*Celebrating*  
**25**  
YEARS



PLEASE CALL US TO DISCUSS HOW WE CAN BEST SERVE YOU:

Donald P. Bass  
Managing Partner  
dbass@avprojets.com

Christopher J. Ellis  
Managing Partner  
cellis@avprojets.com

Robert W. Rabbitt, Jr.  
Managing Partner  
brabbitt@avprojets.com