



AVPRO INC.
Performance. Integrity. Reputation.




Internet
Aircell ATG-5000


Maintenance
Programs


Passengers
9

2001 Challenger 604 | SN 5504

2001 Challenger 604 | S/N: 5504 | N604RR

AIRCRAFT LISTING DETAILS:

Total Hours: 8167

Total Landings: 5260

Engines: GE CF34-3B

	#1	#2
Total Hours:	8167	7956
Engine Cycles:	5260	5153
Serial Numbers:	873103	873104

APU: Honeywell GTCP 36-150 (CL)

Total Hours: 5982

Serial Number: P-740C

AIRCRAFT HIGHLIGHTS:

- Engines Enrolled on GE OnPoint
- Airframe Enrolled on SmartParts
- APU Enrolled on MSP
- Aircell ATG-5000 Wi-Fi
- ADS-B Out / WAAS / LPV / RAAS
- 96 Month Inspection c/w Bombardier Tucson 2017
- International Jet Interiors Refurbishment 03/2016
- Currently Operated Part 135

AVIONICS:

- Rockwell Collins Pro Line 4 Avionics
- Six (6) Collins EFIS Display Tubes w/EICAS
- Dual Collins FCC-4006 Computers Flight Control Computers
- Dual Collins CDU-6000 Control Display Units
- Dual VHF-422C Comm Transceivers
- Dual Collins VIR-432 Receivers
- Dual Collins DME-442 Receivers
- Dual Collins ADF-462 Receivers
- Dual Collins TRD-94D Transponders w/Enhanced Surveillance
- Dual Collins FMC-6000 Flight Management System
- Dual Collins GPS-4000A Sensors
- Dual Litton LN-101 IRU's
- Dual Collins ADC-850E Air Data Computers
- Collins DBU-4100 Database Unit
- Dual Collins HF-9031A HF Transceivers
- Collins MDC-4000 Maintenance Diagnostic Computer
- Dual Collins ALT-55B Radio Altimeters
- Coltech CSD-714 SELCAL Decoder
- Honeywell Mark V EGPWS
- Collins TTR-2100 TCAS II w/Change 7.1
- Collins RTA-854 Weather Radar
- L3 Communications FA-2100 Flight Data Recorder
- Fairchild A200S Cockpit Voice Recorder
- Honeywell AFIS w/Printer
- Artex C406-2 ELT w/Nav Interface

2001 Challenger 604 | S/N: 5504 | N604RR

CONNECTIVITY:

- Aircell ATG-5000 High Speed Data System
- Cabin Wi-Fi
- Inmarsat Satcom w/Rockwell Collins SDU-906-6 Satellite Phone System
- Cockpit & Cabin Handsets

ENTERTAINMENT:

- Audio International Cabin Management System
- Airshow Moving Map Display System
- DVD/CD Players
- 18" Forward & Aft Bulkhead Monitors

MAINTENANCE PROGRAMS:

- Engines Enrolled on GE OnPoint
- Airframe Enrolled on SmartParts
- APU Enrolled on MSP

NAVIGATION COMPLIANCE:

- Collins TTR-2100 TCAS II w/Change 7.1
- ADS-B (Out) WAAS / LPV
- TAWS w/ RAAS
- 8.33 Spacing / FM Immunity
- RVSM Compliant

INSPECTION STATUS:

Inspection	Last Completed	Next Due
400 Hour	8,074 Hours	8,462 Hours
600 Hour	8,074 Hours	8,638 Hours
800 Hour	7,484 Hours	8,284 Hours
1,200 Hour	8,074 Hours	8,638 Hours
1,600 Hour	6,886 Hours	8,486 Hours
2,400 Hour	6,206 Hours	8,606 Hours
3,200 Hour	6,206 Hours	9,385 Hours
4,800 Hour	3,875 Hours	8,675 Hours
6,400 Hour	6,436 Hours	12,800 Hours
12 Month	10/2019	10/2020
24 Month	10/2019	10/2021
36 Month	06/2019	06/2021
48 Month	09/2017	09/2021
96 Month	09/2017	09/2025

WEIGHTS:

Max Ramp Weight	48,300 Lbs.
Max Take-Off Weight	48,200 Lbs.
Max Landing Weight	38,000 Lbs.
Max Zero Fuel Weight	32,000 Lbs.
Standard BOW	27,100 Lbs.
Max Usable Fuel	19,850 Lbs.
Empty Weight	26,833 Lbs.

2001 Challenger 604 | S/N: 5504 | N604RR

FEATURES/OPTIONS:

- Increased Gross Take Off Mod. 48,200 Lbs.
- Crew Jump Seat
- Wing/Taxi Light Pulsating System
- SecuraPlane Security System 450
- 115V 60 Hz AC Outlets
- Increased Tail Tank Fuel Transfer Rate Mod
- Baggage Cargo Net
- Aft Equipment Bay Mounted Storage Box
- Aft Equipment Bay Maintenance Walkway
- Aft Equipment Bay Nose & Main Wheel Storage
- Tow Bar Installation
- Dual Water Tanks
- Polyfab Insulation Package
- Cabin Therapeutic Oxygen Outlet
- Flight Deck Below Floor Book Storage Box
- Yoke Mounted Chart Holders

INTERIOR:

Refurbished March 2016 by International Jet Interiors; refurbishment included new carpet, seats, upper and lower sidewalls, divan and countertops. Original Completion by Midcoast Aviation 12/10/2001.

Beautifully appointed nine (9) passenger interior offers a forward LH Crew Closet opposite a fully equipped galley featuring a convection oven, microwave, coffeemaker, chilled food storage and generous storage space. There is a RH pocket door offering privacy between the galley and passenger cabin.

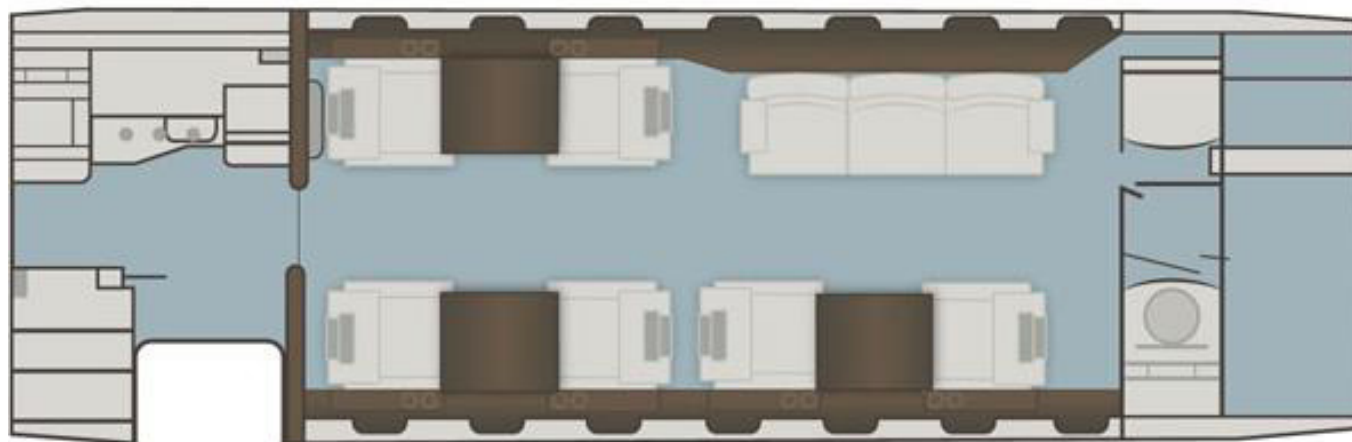
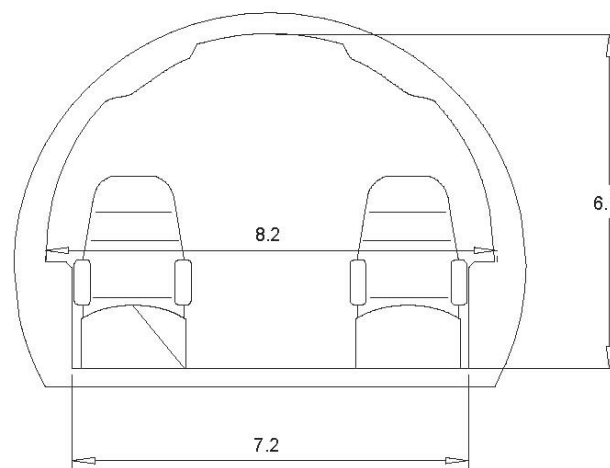
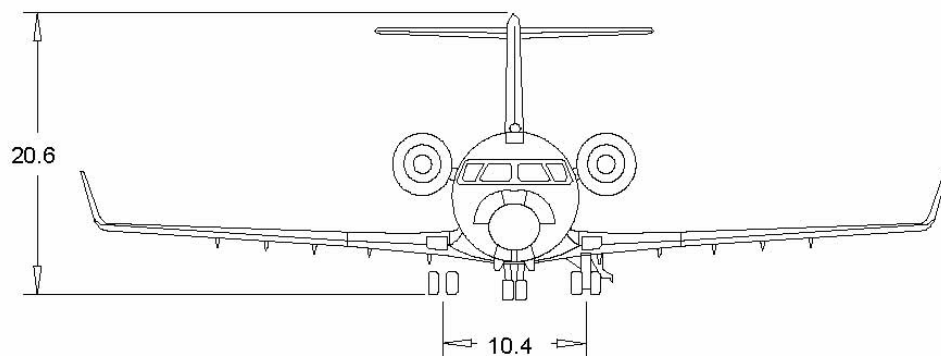
The forward cabin offers a four (4) place club configuration followed by an aft three (3) place partial berthing divan opposite a two (2) place club with reclining seats. The aft lav offers a granite countertop, lighted mirror, closet and storage cabinets.

EXTERIOR:

(2010 Paint by Duncan Aviation)

Matterhorn White Base with Light Blue and Royal Blue Accent Striping.

2001 Challenger 604 | S/N: 5504 | N604RR



2001 Challenger 604 | S/N: 5504 | N604RR



2001 Challenger 604 | S/N: 5504 | N604RR



2001 Challenger 604 | S/N: 5504 | N604RR



2001 Challenger 604 | S/N: 5504 | N604RR



2001 Challenger 604 | S/N: 5504 | N604RR



2001 Challenger 604 | S/N: 5504 | N604RR



2001 Challenger 604 | S/N: 5504 | N604RR



2001 Challenger 604 | S/N: 5504 | N604RR



2001 Challenger 604 | S/N: 5504 | N604RR



AVPRO IS ONE OF THE WORLD'S
LARGEST INTERNATIONAL AIRCRAFT
BROKERAGE AND ACQUISITION FIRMS:

We perform for our clients, averaging one transaction a week. We match aircraft to your specifications in a professional and timely manner, allowing you to concentrate on your business, leaving the important details of marketing, market research, negotiating, and contracting to us.

Whether buying, selling or leasing a new or pre-owned aircraft, Avpro is committed to providing superior customer service and creating mutually beneficial long-term customer relationships.

When it's time to buy, lease or sell an aircraft, you want to deal with Avpro, a firm known for its Performance for our clients, Integrity in the way we do business, and Reputation as the key ingredient for future business.

We're one of the world's largest international brokerage, acquisition, and aircraft consulting firms. We specialize in corporate, business and private jet aircraft. We've earned our impressive record by doing one thing very well - providing superior customer service and creating beneficial long-term customer relationships.



PLEASE CALL US TO DISCUSS HOW WE CAN BEST SERVE YOU:

Donald P. Bass
Managing Partner
dbass@avprojets.com

Christopher J. Ellis
Managing Partner
cellis@avprojets.com

Robert W. Rabbitt, Jr.
Managing Partner
brabbitt@avprojets.com

WWW.AVPROJETS.COM

AVPRO, INC.
900 Bestgate Road, Suite 412
Annapolis, Maryland 21401

410.573.1515
Fax: 410.573.1919
E-mail: bbutcher@avprojets.com

