

JOINTLY OFFERED BY  
AVPRO & JET8 AVIATION

*AVPRO* INC.  
*Performance. Integrity. Reputation.*

*JET8*



*AVPRO* INC.  
*Performance. Integrity. Reputation.*



  
Internet  
Swift Broadband HS

  
Maintenance  
Programs

  
Passengers  
13

2011 Global Express XRS | SN 9391

---

2011 Global Express XRS | S/N: 9391 | VP-CHL

---

AIRCRAFT LISTING DETAILS:

Total Hours: 1639  
Total Landings: 604

---

Engines: Rolls Royce BR710AS-20

	#1	#2
Total Hours:	1639	1639
Engine Cycles:	604	604
Serial Numbers:	12899	12900

APU: Honeywell RE220(GX)

Total Hours: 1869  
Serial Number: P-518

---

AIRCRAFT HIGHLIGHTS:

- One Private Owner Since New
- FANS 1/A & Batch 3 Compliant
- ADS-B Out & WAAS/LPV
- Rockwell Collins SAT-2100B SwiftBroadband System
- Head Up Display & Enhanced Vision System
- Engines on Rolls Royce Corporate Care
- Airframe on Smart Parts Plus
- APU on MSP Gold

AVIONICS:

- Honeywell Primus 2000 XP Avionics Suite
- Head Up Flight Display System (HUD)
- Enhanced Vision System (EVS)
- Triple VHF Communication Systems
- Dual VOR/ILS/MKR VHF Navigation Systems
- Dual HF Communication Systems
- SELCAL System
- Dual Mode-S Transponders w/ ADS-B Out
- Dual GPS Receivers
- Triple Inertial Reference Units (IRU)
- Triple Flight Management Systems (FMS)
- ACARS with Airborne Data Link System (FANS 1/A Compliant)
- Honeywell TCAS 2000 w/TCAS 7.1
- Enhanced Ground Proximity Warning System (EGPWS)
- Dual Automatic Direction Finder Systems (ADF)
- Dual Distance Measuring Equipment Systems (DME)
- Dual Radio Altimeters
- LSZ-860 Lightning Sensor System (LSS)
- Cockpit Voice Recorder (CVR)
- Flight Data Recorder (FDR)
- Quick Access Recorder (QAR)



410.573.1515  
www.avprojets.com  
E-mail: dbass@avprojets.com



+60.12.707.1477  
www.jet8.com  
E-mail: Achazottes@jet8.com



---

2011 Global Express XRS | S/N: 9391 | VP-CHL

---

**CONNECTIVITY:**

- Rockwell Collins SAT-2100B SwiftBroadband System
- Global Office
- Wireless Local Area Network (LAN)
- Inmarsat Aero H+ (2-Channels), One Cockpit Data Channel, One Iridium Communication Channel and One High Speed Data Channel (based on the Inmarsat Swift BB Service)
- Iridium Telephone System with ICS-100 Transceiver

---

**ENTERTAINMENT:**

- Rockwell Collins Cabin Entertainment System
- Airshow ASXi Interactive Moving Map & Flight Information System
- High Definition DVD Player
- 24" LCD Forward Bulkhead Monitor
- 31.5" LCD Aft Cabin Monitor
- 10.4" LCD Touch Screen Galley Monitor

---

**MAINTENANCE PROGRAMS:**

- Engines on Rolls Royce Corporate Care
- Enrolled on Smart Parts Plus
- APU on Honeywell MSP Gold
- CAMP

**NAVIGATION COMPLIANCE:**

- RVSM/MNPS/RNP/PRNAV
- FANS/CPDLC/ADS-B
- WAAS/LPV
- Honeywell TCAS 2000 w/TCAS 7.1
- Datalink
- Batch 3 Compliant

---

**INSPECTION STATUS**

Inspection	c/w	Next Due
15 Months	August 2018	November 2019
30 Months	August 2018	February 2021
60 Months	January 2016	January 2021
120 Months	N/A	March 2021
180 Months	N/A	March 2026

---

**WEIGHTS:**

Gross .....	98,250 lbs.
Empty .....	49,768 lbs.
Max Take Off .....	99,500 lbs.
Max Landing.....	78,600 lbs.
Max Zero Fuel .....	56,000 lbs.
BOW.....	51,230 lbs.

---

2011 Global Express XRS | S/N: 9391 | VP-CHL

---

**FEATURES/OPTIONS:**

- Class II Electronic Flight Bag Installation
- EROS MF-10 Full Face Oxygen Masks (Pilot & Co-Pilot)
- Two (2) Outlets in Cockpit (115 VAC/60 Hz Outlet & RJ-45)
- LED Lighting
- Common Keyed Locks
- Electric Window Shades
- Aft Equipment Bay Storage Box & Access Ladder
- Passenger Address System
- Miltope Printer & Plain Paper Facsimile
- Electronic Pilot Checklist
- Quick Access Recorder

**INTERIOR:**

Well-appointed interior offering seating for twelve to thirteen (12/13) passengers.

The forward cabin features a crew rest, crew lavatory and a fully equipped galley. Moving through the cabin there is a four (4) place club arrangement followed by a mid cabin four (4) place conference group opposite a single (1) seat which functions as a work station. The private aft cabin offers a divan for two (2) passengers (divan is certified for three (3) passengers when hard bulkhead is removed) opposite a single (1) forward facing chair and a 32" LCD monitor.

All seating in the cabin is covered in light colored leather complimented by the light colored carpeting, high gloss medium colored veneer and silver colored metal plating.

**EXTERIOR:**

Overall White with Light Blue Accent Striping.



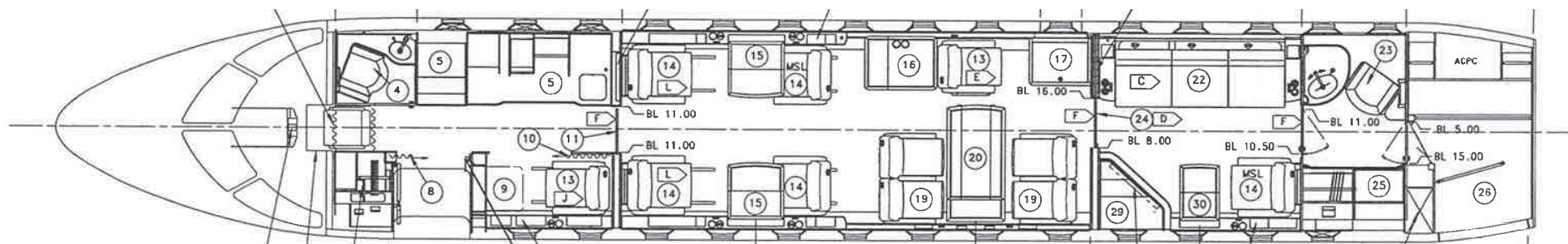
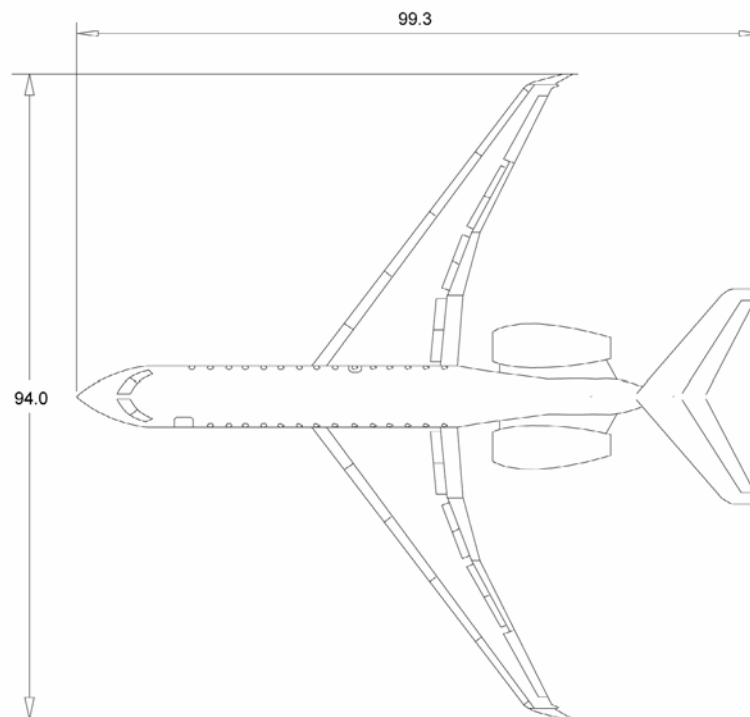
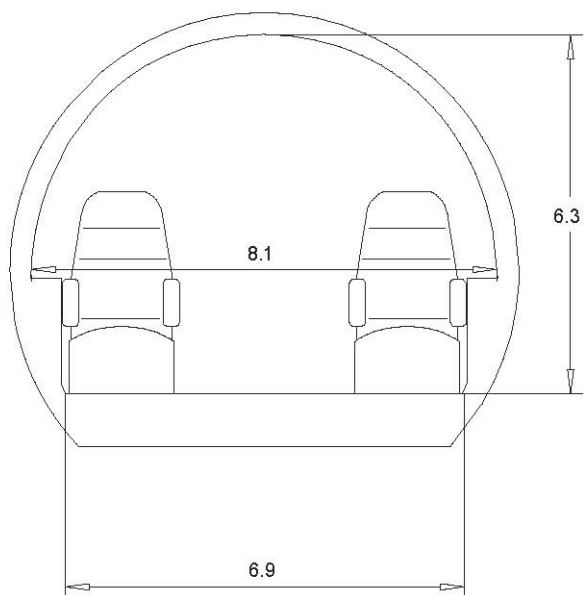
410.573.1515  
www.avprojets.com  
E-mail: dbass@avprojets.com



+60.12.707.1477  
www.jet8.com  
E-mail: Achazottes@jet8.com



2011 Global Express XRS | S/N: 9391 | VP-CHL



2011 Global Express XRS | S/N: 9391 | VP-CHL



**AVPRO** INC.

410.573.1515  
www.avprojets.com  
E-mail: dbass@avprojets.com

**JET8**

+60.12.707.1477  
www.jet8.com  
E-mail: Achazottes@jet8.com



2011 Global Express XRS | S/N: 9391 | VP-CHL



**AVPRO** INC.

410.573.1515  
www.avprojets.com  
E-mail: dbass@avprojets.com

**JET8**

+60.12.707.1477  
www.jet8.com  
E-mail: Achazottes@jet8.com



2011 Global Express XRS | S/N: 9391 | VP-CHL



**AVPRO** INC.

410.573.1515  
www.avprojets.com  
E-mail: dbass@avprojets.com

**JET8**

+60.12.707.1477  
www.jet8.com  
E-mail: Achazottes@jet8.com





2011 Global Express XRS | S/N: 9391 | VP-CHL



**AVPRO** INC.

410.573.1515  
www.avprojets.com  
E-mail: dbass@avprojets.com

**JET8**

+60.12.707.1477  
www.jet8.com  
E-mail: Achazottes@jet8.com



2011 Global Express XRS | S/N: 9391 | VP-CHL



**AVPRO** INC.

410.573.1515  
www.avprojets.com  
E-mail: dbass@avprojets.com

**JET8**

+60.12.707.1477  
www.jet8.com  
E-mail: Achazottes@jet8.com



2011 Global Express XRS | S/N: 9391 | VP-CHL



**AVPRO** INC.

410.573.1515  
www.avprojets.com  
E-mail: dbass@avprojets.com

**JET8**

+60.12.707.1477  
www.jet8.com  
E-mail: Achazottes@jet8.com



2011 Global Express XRS | S/N: 9391 | VP-CHL



**AVPRO** INC.

410.573.1515  
www.avprojets.com  
E-mail: dbass@avprojets.com

**JET8**

+60.12.707.1477  
www.jet8.com  
E-mail: Achazottes@jet8.com



2011 Global Express XRS | S/N: 9391 | VP-CHL



**AVPRO** INC.

410.573.1515  
www.avprojets.com  
E-mail: dbass@avprojets.com

**JET8**

+60.12.707.1477  
www.jet8.com  
E-mail: Achazottes@jet8.com



2011 Global Express XRS | S/N: 9391 | VP-CHL



2011 Global Express XRS | S/N: 9391 | VP-CHL



**AVPRO** INC.

410.573.1515  
www.avprojets.com  
E-mail: dbass@avprojets.com

**JET8**

+60.12.707.1477  
www.jet8.com  
E-mail: Achazottes@jet8.com



2011 Global Express XRS | S/N: 9391 | VP-CHL



**AVPRO** INC.

410.573.1515  
www.avprojets.com  
E-mail: dbass@avprojets.com

**JET8**

+60.12.707.1477  
www.jet8.com  
E-mail: Achazottes@jet8.com





2011 Global Express XRS | S/N: 9391 | VP-CHL



**AVPRO** INC.

410.573.1515  
www.avprojets.com  
E-mail: dbass@avprojets.com

**JET8**

+60.12.707.1477  
www.jet8.com  
E-mail: Achazottes@jet8.com



2011 Global Express XRS | S/N: 9391 | VP-CHL



**AVPRO** INC.

410.573.1515  
www.avprojets.com  
E-mail: dbass@avprojets.com

**JET8**

+60.12.707.1477  
www.jet8.com  
E-mail: Achazottes@jet8.com



2011 Global Express XRS | S/N: 9391 | VP-CHL



**AVPRO** INC.

410.573.1515  
www.avprojets.com  
E-mail: dbass@avprojets.com

**JET8**

+60.12.707.1477  
www.jet8.com  
E-mail: Achazottes@jet8.com



2011 Global Express XRS | S/N: 9391 | VP-CHL



**AVPRO** INC.

410.573.1515  
www.avprojets.com  
E-mail: dbass@avprojets.com

**JET8**

+60.12.707.1477  
www.jet8.com  
E-mail: Achazottes@jet8.com



**AVPRO IS ONE OF THE WORLD'S  
LARGEST INTERNATIONAL AIRCRAFT  
BROKERAGE AND ACQUISITION FIRMS:**

We perform for our clients, averaging one transaction a week. We match aircraft to your specifications in a professional and timely manner, allowing you to concentrate on your business, leaving the important details of marketing, market research, negotiating, and contracting to us.

Whether buying, selling or leasing a new or pre-owned aircraft, Avpro is committed to providing superior customer service and creating mutually beneficial long-term customer relationships.

When it's time to buy, lease or sell an aircraft, you want to deal with Avpro, a firm known for its Performance for our clients, Integrity in the way we do business, and Reputation as the key ingredient for future business.

We're one of the world's largest international brokerage, acquisition, and aircraft consulting firms. We specialize in corporate, business and private jet aircraft. We've earned our impressive record by doing one thing very well - providing superior customer service and creating beneficial long-term customer relationships.



**PLEASE CALL US TO DISCUSS HOW WE CAN BEST SERVE YOU:**

Donald P. Bass  
Managing Partner  
dbass@avprojets.com

Christopher J. Ellis  
Managing Partner  
cellis@avprojets.com

Robert W. Rabbitt, Jr.  
Managing Partner  
brabbitt@avprojets.com

**AVPRO** INC.

410.573.1515  
www.avprojets.com  
E-mail: dbass@avprojets.com

**JET8**

+60.12.707.1477  
www.jet8.com  
E-mail: Achazottes@jet8.com



# Jet 8 Aviation Limited

We Understand You.

Buying an aircraft can be a complex business. At Jet8, we understand this perfectly.

We know what aircraft is suitable, where are the right places to buy, when to sell and most importantly, who are the right people to speak with.

And because we are a boutique aviation advisory, you can be assured of a personalised service with a customised solution to meet your every need. Perfectly.



Dragon General Aviation Group



410.573.1515  
www.avprojets.com  
E-mail: dbass@avprojets.com



+60.12.707.1477  
www.jet8.com  
E-mail: Achazottes@jet8.com

