

1994 CESSNA CITATION CJ | SN 525-0082



MACH
0.71



PASSENGERS
6



RANGE (NM)
1,300

CONTACT: DAVID LEE
david@soljets.com | +1.847.920.7000

1994 CESSNA CITATION CJ | SN 525-0082



AIRCRAFT LISTING DETAILS:

Total Hours: 3100

ENGINES: Williams FJ44-1A

	Left	Right
Total Hours:	2957	3000
Engine Cycles:	3010	3075

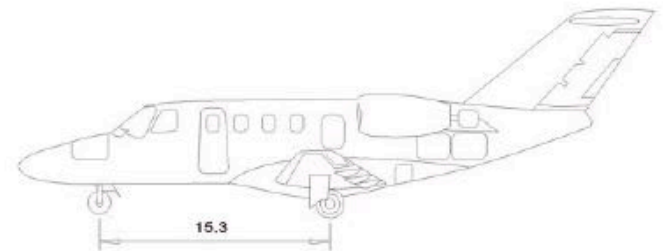
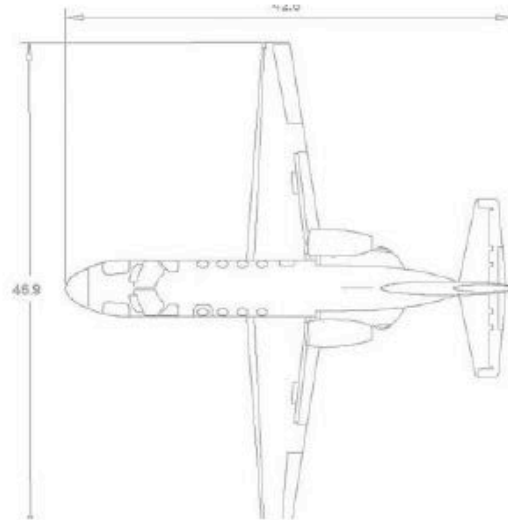
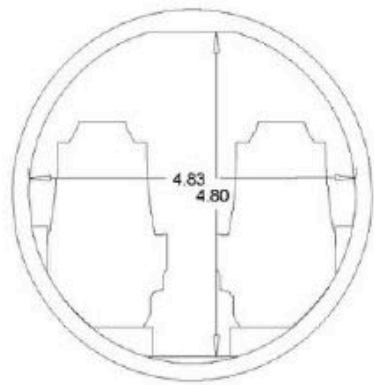
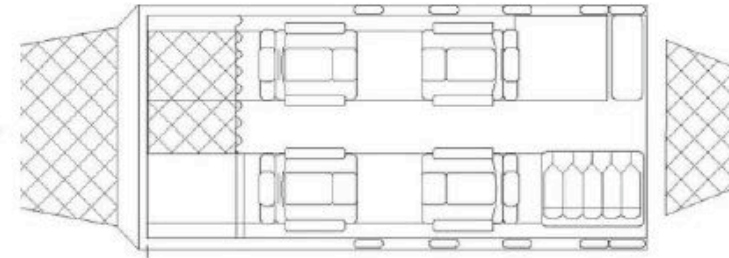
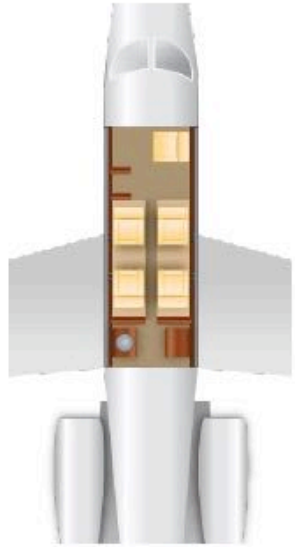
AIRCRAFT HIGHLIGHTS:

- 2013 Paint Refurbishment
- 5th Seat and Belted Lav
- Thrust Attenuators
- Oxygen System and Crew Oxygen Masks
- Tail Flood Lights
- Standby Gyro
- **Enrolled In TAP Blue**

AVIONICS:

- Sperry SPZ-5000 Avionics Suite
- 2-Tube EFIS
- Sperry SPZ-5000 Flight Director & Autopilot
- Dual King KY-196B w/8.33 spacing
- Dual King KN-52 w/ FM Immunity
- Dual King KN-63 DME
- King KHF-950
- King RDS-82VP Color
- King KR-87 ADF
- Dual King KT-71
- Sperry A2-241 ACE
- King KRA-475 Radio Altimeter
- Global GNS-XLS w/ GPS
- Garmin GTX-328 and GTX-330 Mode S
- TAWS
- Garmin GPS-500 (IFR)

1994 CESSNA CITATION CJ | SN 525-0082



1994 CESSNA CITATION CJ | SN 525-0082



1994 CESSNA CITATION CJ | SN 525-0082



1994 CESSNA CITATION CJ | SN 525-0082



1994 CESSNA CITATION CJ | SN 525-0082



1994 CESSNA CITATION CJ | SN 525-0082



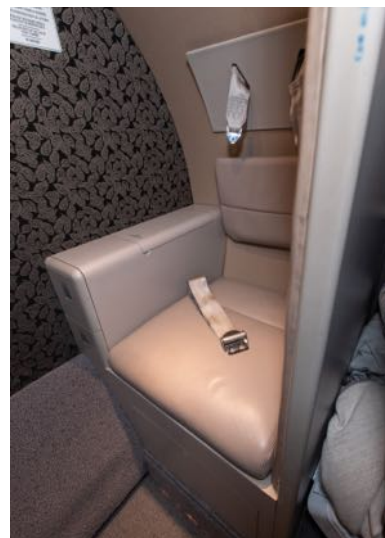
1994 CESSNA CITATION CJ | SN 525-0082



1994 CESSNA CITATION CJ | SN 525-0082



1994 CESSNA CITATION CJ | SN 525-0082



1994 CESSNA CITATION CJ | SN 525-0082



SOLJETS: YOUR TRUSTED PARTNER

EXPERIENCE, KNOWLEDGE, PASSION

Whether you have a precise requirement for a specific aircraft, or a vague concept and understanding of your needs, the SOLJETS professionals have refined a SOLUTION that ensures YOUR needs, missions, and goals are met. With clarity we work together to provide the Intel and resources to enable YOU to make the best decisions – whether buying or selling. The SOLJETS SOLUTION has four key steps: Assess, Assemble, Act, Alliance.

SOLJETS' FOCUS IS YOU

The SOLJETS SOLUTION™ combines the ideal aircraft with the right process, ownership structure, and foundation to make sure that your jet is a simple, efficient, and satisfying part of your life. Freedom, adventure, time. With SOLJETS, that dream can become a reality.

LEVERAGING ART & SCIENCE

Matching the right aircraft with the right owner takes more than internet advertising and email campaigns. The team at SOLJETS leverages industry relationships built over decades of experience to broaden our global reach and uncover unique opportunities for you. Any buyer or seller can look through online ads to find a few retail solutions. At SOLJETS, our team goes where others won't to find the right buyer or seller. We've built deep ties with manufacturers, lenders, insurers, and global operators so that we are in a position to not only hear about transaction opportunities before others, but to be instrumental in making those opportunities work for you.